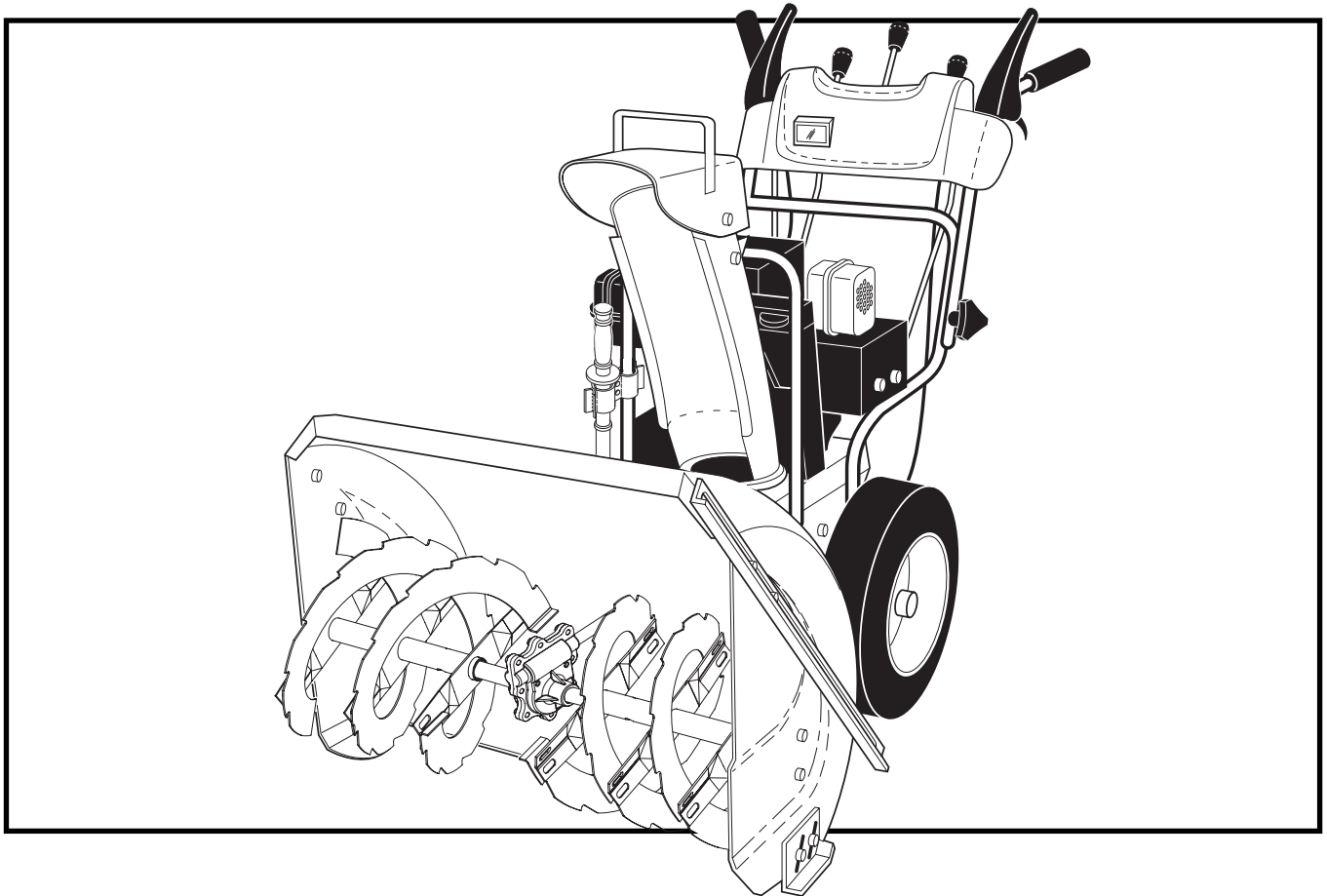


Snow Thrower

# 1330 SBE OV

96193002300

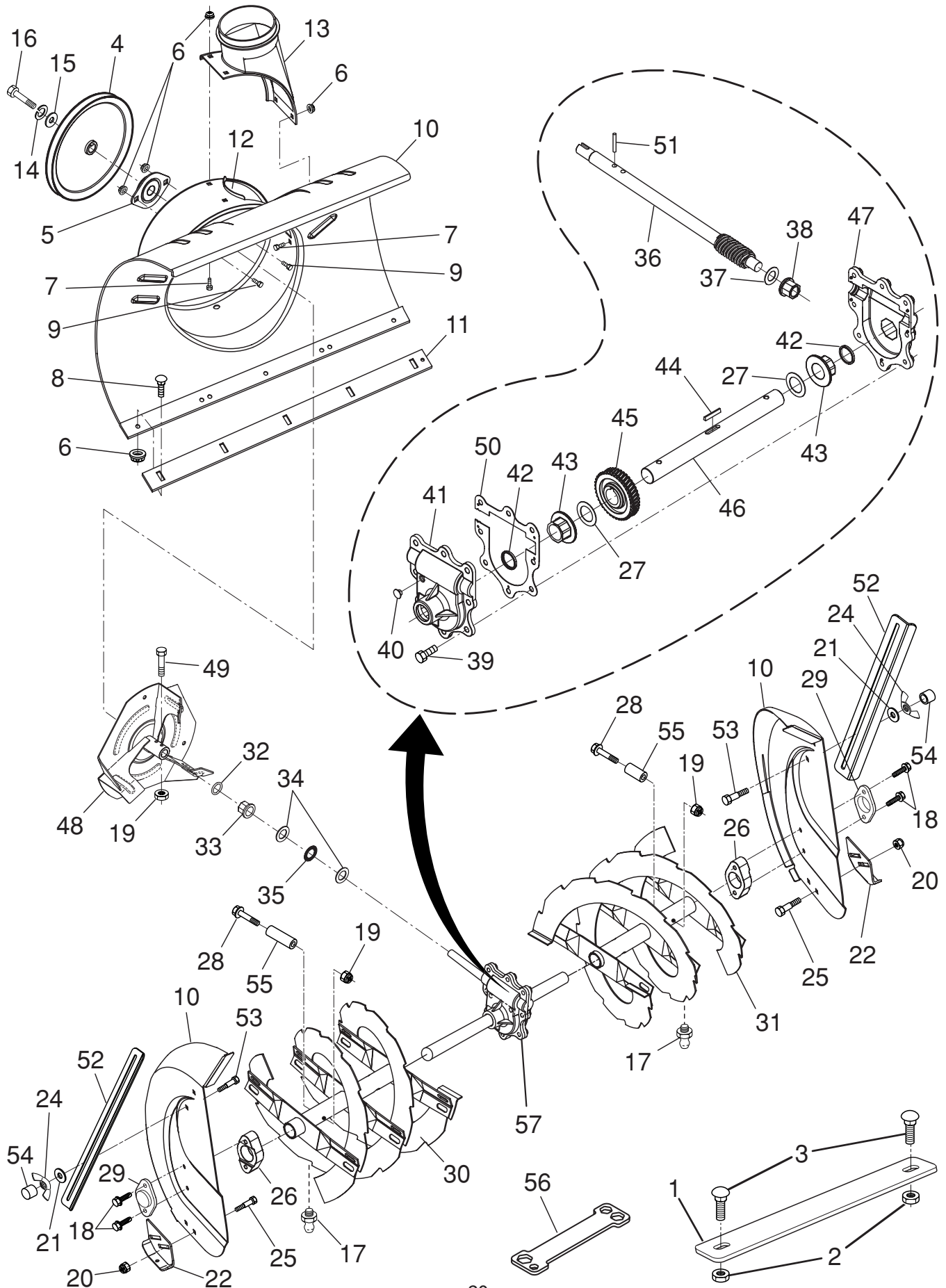


Illustrated Parts List

# REPAIR PARTS

# AUGER HOUSING / IMPELLER ASSEMBLY

SNOW THROWER - MODEL NUMBER 1330SBE-OV (96193002300)



**REPAIR PARTS****AUGER HOUSING / IMPELLER ASSEMBLY****SNOW THROWER - MODEL NUMBER 1330SBE-OV (96193002300)**

<b>KEY NO.</b>	<b>PART NO.</b>	<b>DESCRIPTION</b>	<b>KEY NO.</b>	<b>PART NO.</b>	<b>DESCRIPTION</b>
1	532 18 25-16	Bar, Weight	29	532 18 79-25	Bearing
2	532 75 11-53	Nut, Hex 5/16-18	30	532 40 77-22	Auger Assembly, RH
3	872 11 05-10	Bolt, Carriage 5/16-18 x 1-1/4	31	532 40 77-23	Auger Assembly, LH
4	532 19 10-79	Pulley, Impeller	32	532 40 77-68	O-Ring
5	532 18 89-09	Bearing Assembly, Flange	33	532 40 77-69	Bushing, Flange 3/4
6	532 15 53-77	Nut, Hex Flange 5/16-18	34	532 17 46-81	Washer, Thrust 3/4
7	532 18 03-55	Bolt, Flat Head, Carriage 5/16-18 x 5/8	35	532 17 46-84	Bearing, Thrust 3/4
8	872 27 05-05	Bolt, Carriage 5/16-1 8 x 5/8	36	532 40 77-57	Shaft, Impeller
9	532 16 31-83	Bolt	37	532 17 46-83	Washer, Thrust 5/8
10	532 40 77-21	Housing, Auger	38	532 40 77-58	Bushing, Flange 5/8
11	532 40 76-45	Bar, Scraper	39	532 40 77-67	Screw, Hex Head 5/16-18 x 3/4
12	532 18 40-95	Bracket, Corner Discharge	40	532 40 77-60	Plug, Case
13	532 17 53-22	Base, Discharge Chute	41	532 40 77-61	Housing, Gearbox, RH
14	810 04 05-00	Washer, Lock 5/16	42	532 40 77-70	Seal, Oil
15	819 11 15-07	Washer, Flat	43	532 40 77-62	Bushing, Flange, 1"
16	874 94 05-16	Screw, Hex Head 5/16-18 x 3/4	44	532 18 92-82	Key, Square 1/4 x 1/4 x 7/8
17	532 40 56-37	Grease Fitting	45	532 40 77-63	Gear, Worm
18	532 17 95-82	Screw, Hex Head 5/16 x 1	46	532 40 77-64	Shaft, Auger
19	873 80 04-00	Nut, Hex Lock 1/4-20	47	532 40 77-65	Housing, Gearbox, LH
20	532 15 53-77	Nut, Hex Lock 5/16-18	48	532 18 41-05	Impeller Assembly
21	532 40 13-47	Washer, Flat 5/16	49	874 78 04-26	Screw, Hex Head 1/4-20 x 1-5/8
22	532 40 78-34	Skid Plate, Heavy Duty	50	532 40 77-66	Gasket, Gearbox
24	532 12 86-38	Wing Nut	51	532 18 42-05	Pin, Roll 3/16 x 1-1/8
25	872 27 05-06	Bolt, Shoulder 1/4-20	52	532 18 47-47	Bar, Drift Cutter
26	532 18 81-70	Bearing Retainer, Plastic	53	872 27 05-06	Bolt
27	532 17 46-97	Washer, Thrust, 1"	54	532 19 87-09	Stop
28	532 19 86-36	Bolt, Shear	55	532 19 86-38	Spacer
			56	532 18 06-84	Multi-Wrench
			57	532 19 67-10	Gearbox Assembly

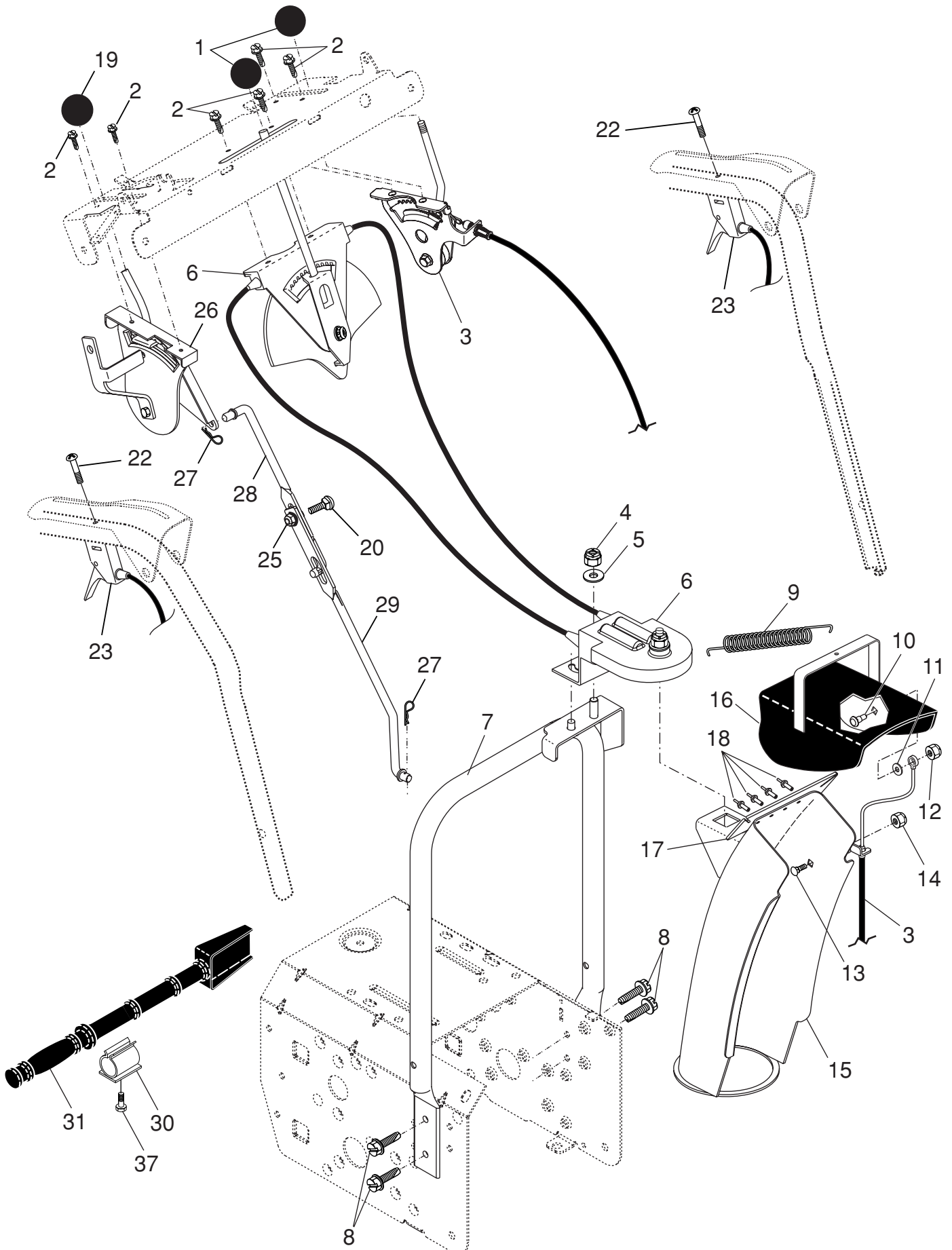
**NOTE:** All component dimensions given in U.S. inches. 1 inch = 25.4 mm

**IMPORTANT:** Use only Original Equipment Manufacturer (O.E.M.) replacement parts. Failure to do so could be hazardous, damage your snow thrower and void your warranty.

# REPAIR PARTS

# CONTROL PANEL / DISCHARGE CHUTE

SNOW THROWER - MODEL NUMBER 1330SBE-OV (96193002300)



# REPAIR PARTS

# CONTROL PANEL / DISCHARGE CHUTE

## SNOW THROWER - MODEL NUMBER **1330SBE-OV** (96193002300)

KEY NO.	PART NO.	DESCRIPTION
1	532 41 42-80	Knob, Lever
2	817 50 10-10	Screw #10-24 x 5/8
3	532 19 84-75	Control Assembly, Deflector
4	873 80 06-00	Nut, Lock 3/8-16
5	819 13 13-16	Washer, Flat 3/8
6	532 40 49-74	Control Assembly, Chute Rotater
7	532 41 54-89	Support, Pivot
8	532 15 00-78	Screw, Hex Head 5/16-18 x 3/4
9	532 18 45-05	Spring, Deflector
10	532 17 98-29	Bolt, Shoulder
11	532 17 92-46	Washer, Friction, Nylon
12	532 19 17-30	Nut, Lock 1/4-20
13	872 25 05-05	Bolt, Carriage 5/16-18
14	532 75 11-53	Nut, Hex, Flanged
15	532 40 76-50	Chute Assembly
16	532 18 41-13	Deflector Assembly
17	532 17 91-45	Seal, Deflector
18	532 12 84-15	Rivet, Blind
19	532 41 42-81	Knob, Speed Control Lever
20	872 27 05-06	Bolt, Carriage 5/16-18 x 3/4
21	873 80 05-00	Nut, Hex
22	874 04 10-24	Screw #10-24 x 1-1/2
23	532 41 54-70	Control Assembly, Power Steering
25	532 15 53-77	Nut, Lock 5/16-18
26	532 41 12-16	Lever Assembly, Speed Control
27	532 16 96-75	Retainer, Hairpin
28	532 18 04-45	Rod, Upper, Speed Control
29	532 41 12-15	Rod, Lower, Speed Control
30	532 40 54-00	Clamp, Clean-Out Tool
31	532 19 21-99	Tool, Clean-Out
32	532 19 20-02	Bracket, Shift, Hydro
33	532 19 21-95	Spring
34	532 15 54-15	Washer
35	532 17 92-46	Washer, Friction
36	874 76 05-52	Capscrew
37	532 19 41-89	Screw

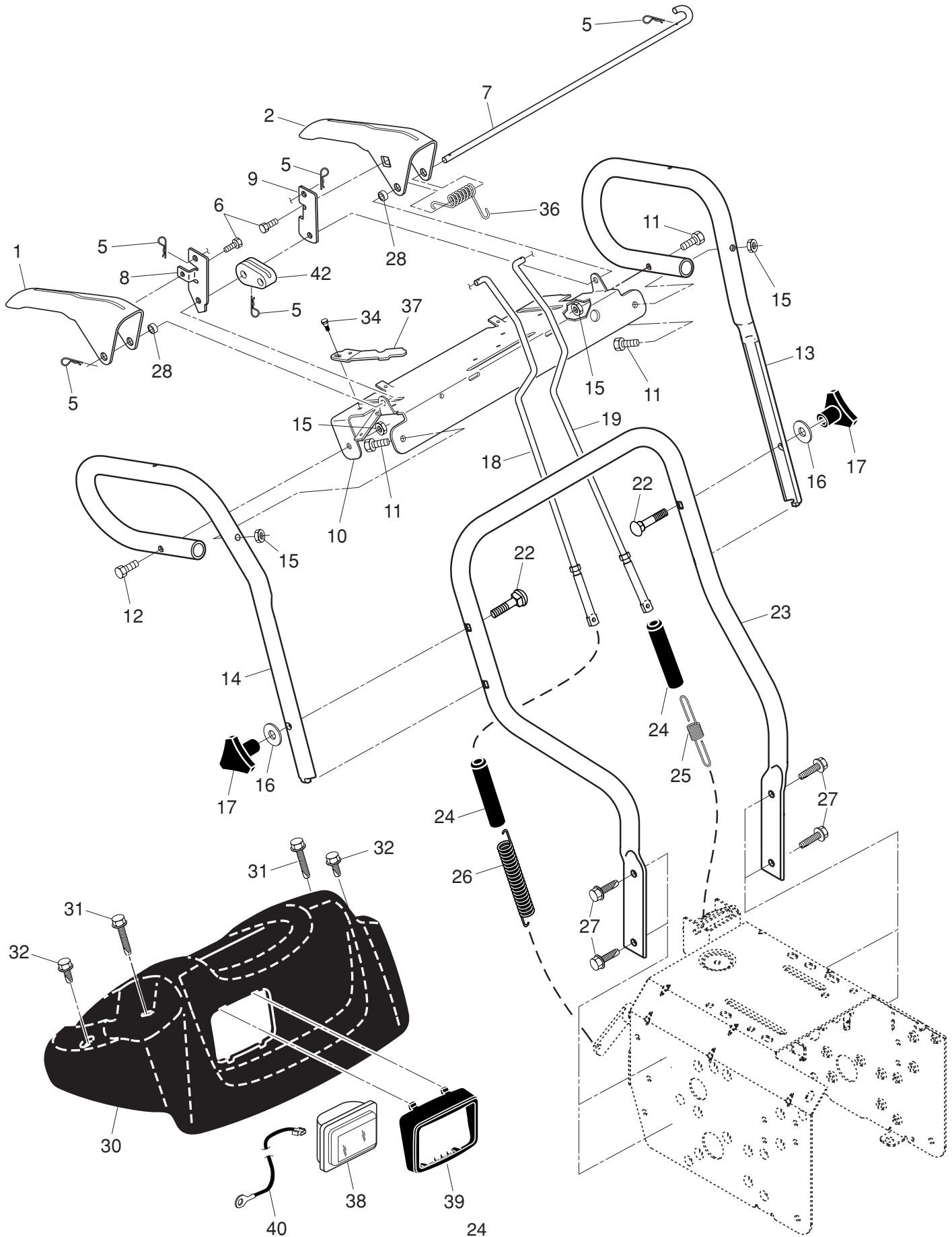
**NOTE:** All component dimensions given in U.S. inches. 1 inch = 25.4 mm

**IMPORTANT:** Use only Original Equipment Manufacturer (O.E.M.) replacement parts. Failure to do so could be hazardous, damage your snow thrower and void your warranty.

# REPAIR PARTS

# HANDLES

SNOW THROWER - MODEL NUMBER 1330SBE-OV (96193002300)



SNOW THROWER - MODEL NUMBER **1330SBE-OV** (96193002300)

KEY NO.	PART NO.	DESCRIPTION
1	532 41 55-42	Lever, Auger Control, RH
2	532 41 55-41	Lever, Traction Drive Control, LH
5	532 16 96-75	Retainer, Hairpin
6	817 06 04-08	Screw, Hex Head
7	532 41 26-77	Rod, Interlock
8	532 19 95-76	Arm, Impeller Rod
9	532 41 55-46	Arm, Traction Rod
10	532 41 55-39	Panel, Control
11	874 78 05-24	Screw, Hex Head 5/16-18 x 1-1/2
12	874 78 05-28	Screw, Hex Head 5/16-18 x 1-3/4
13	532 41 52-64	Handle Tube, LH
14	532 41 52-65	Handle Tube, RH
15	532 75 11-53	Nut, Lock 5/16-18
16	819 13 13-16	Washer, Flat 3/8
17	532 17 88-99	Knob, Handle
18	532 18 04-80	Rod, Auger Control
19	532 41 19-16	Rod, Traction Control
22	872 12 06-18	Bolt, Carriage 3/8-16 x 2-1/4
23	532 41 54-36	Handle Tube, Lower
24	532 18 04-47	Sleeve, Spring
25	532 18 09-26	Spring, Traction Drive
26	532 17 86-69	Spring, Auger Control
27	817 00 06-16	Screw, Hex Head 3/8-16 x 1
28	532 41 26-80	Spacer
30	532 18 29-06	Console, Panel
31	532 17 52-62	Screw, Hex Head, Tapping #10-24 x 1-1/4
32	532 18 44-71	Screw, Hex Head, Tapping #10-24 x 5/8
34	817 06 04-10	Screw
36	532 17 88-31	Spring, Torsion
37	532 41 62-88	Spring, Interlock
38	532 17 86-66	Headlight, Halogen (Includes Bulb)
--	532 40 16-20	Bulb, Halogen
39	532 17 86-68	Bezel, Headlight
40	532 18 09-64	Harness, Headlight (Halogen)
42	532 41 45-72	Cam, Interlock

**NOTE:** All component dimensions given in U.S. inches. 1 inch = 25.4 mm

**IMPORTANT:** Use only Original Equipment Manufacturer (O.E.M.) replacement parts. Failure to do so could be hazardous, damage your snow thrower and void your warranty.







SNOW THROWER - MODEL NUMBER **1330SBE-OV** (96193002300)

KEY NO.	PART NO.	DESCRIPTION
1	817 49 05-08	Screw, Hex Head 5/16-18 x 3/4
2	812 00 00-04	Ring, Retaining
3	819 19 13-16	Washer, Flat
4	532 41 32-71	Plate, Rod Alignment
5	532 40 21-95	Bearing, Axle
6	873 80 06-00	Nut, Hex, Centerlock 3/8-16
7	532 41 11-95	Transmission Assembly
8	532 41 12-03	Control Rod, Steering
9	532 70 02-79	Retainer Clip
10	532 41 12-05	Control Rod, Clutch
11	532 41 12-02	Control Rod, Speed
12	532 40 12-20	Nut, Push
13	872 11 06-26	Bolt, Carriage 3/8-16 x 3-1/4
14	532 41 11-96	Bracket, GT Transmission, RH
15	532 15 00-78	Screw, Hex Head
16	532 41 22-86	Shaft, Axle
18	532 41 12-13	Gear, Axle
17	532 41 11-97	Bracket, GT Transmission, LH
19	532 41 28-10	Washer, Flat
23	<b>532 41 92-12</b>	Spring, Leaf

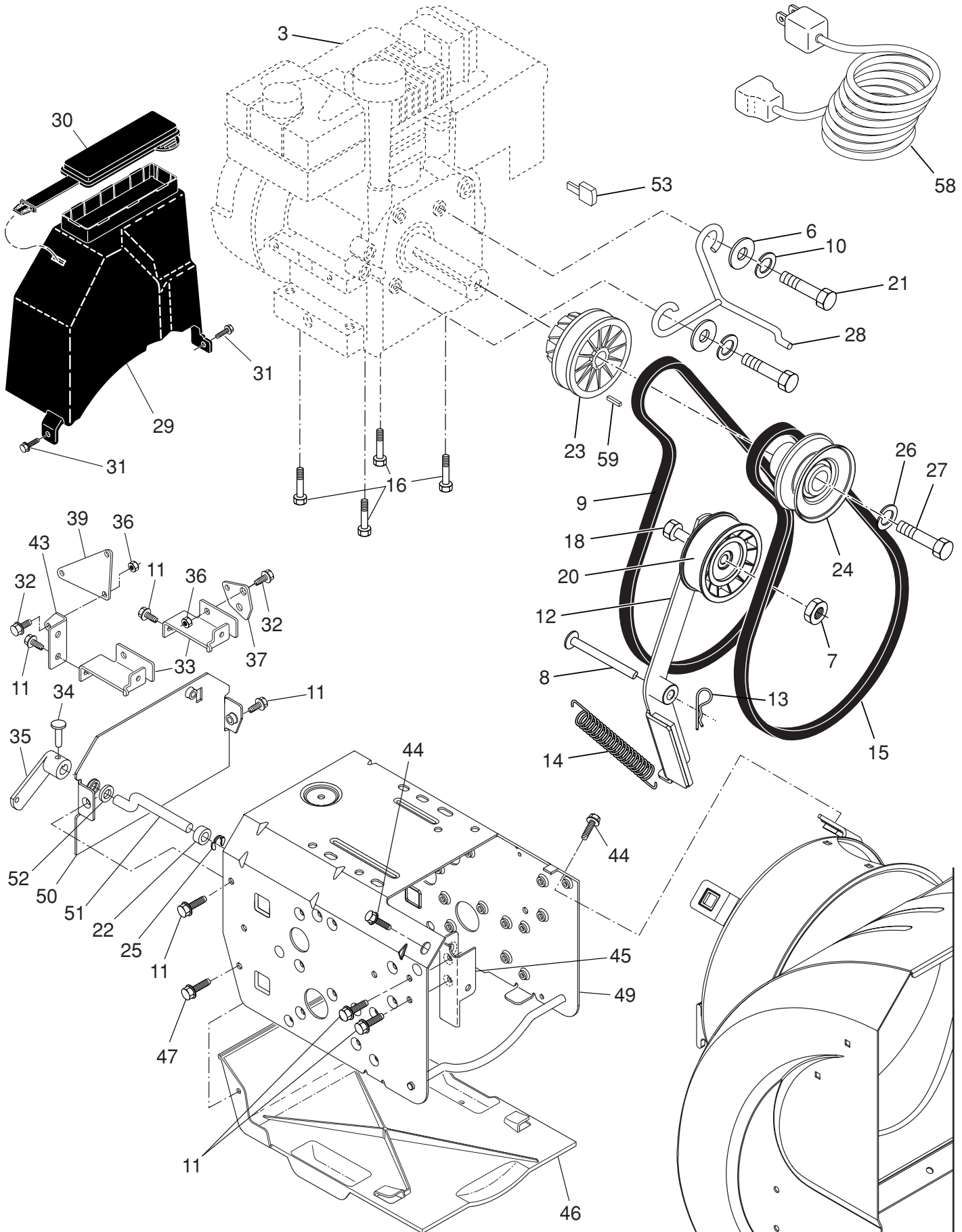
**NOTE:** All component dimensions given in U.S. inches. 1 inch = 25.4 mm

**IMPORTANT:** Use only Original Equipment Manufacturer (O.E.M.) replacement parts. Failure to do so could be hazardous, damage your snow thrower and void your warranty.

# REPAIR PARTS

# CHASSIS / ENGINE / PULLEYS

SNOW THROWER - MODEL NUMBER 1330SBE-OV (96193002300)



# REPAIR PARTS

# CHASSIS / ENGINE / PULLEYS

## SNOW THROWER - MODEL NUMBER **1330SBE-OV** (96193002300)

KEY NO.	PART NO.	DESCRIPTION
3	- - -	Engine, Tecumseh, Model Number OH358SA (For engine service and replacement parts, call Tecumseh Products at 1-800-558-5402)
6	532 15 54-15	Washer, Flat
7	532 16 67-85	Nut, Jam, Lock 5/16-18
8	532 17 53-30	Pin, Idler Pivot
9	532 41 19-31	Belt, Traction Variator
10	810 04 05-00	Washer, Lock 5/16
11	817 49 05-08	Screw, Hex Head 5/16-18 x 1/2
12	532 41 04-20	Idler Arm / Brake Pad Assembly
13	532 08 51-79	Retainer, Hairpin
14	532 17 88-28	Spring, Brake
15	532 40 38-42	V-Belt, Impeller Drive
16	532 15 04-06	Screw, Hex Head 3/8-16 x 1-1/4
18	874 78 05-24	Screw, Hex Head 5/16-18 x 1-1/2
20	532 18 05-23	Pulley, Idler (2-3/4)
21	874 61 05-16	Screw, Hex Head 5/16-18 x 1
22	532 17 90-62	Roller, Actuator
23	532 41 12-12	Pulley, Engine, Variator
24	532 41 11-92	Pulley, Engine, Impeller Drive
25	532 19 21-47	Ring, Crescent
26	532 85 02-63	Washer, Lock 3/8
27	532 19 17-60	Screw, Hex Head 3/8-24 x 1-3/8
28	532 41 15-94	Guide, Belt
29	532 19 22-13	Belt Cover Assembly (Includes Toolbox Cover)
30	532 17 88-30	Cover, Toolbox
29	532 40 91-61	Belt Cover Assembly
31	817 49 04-08	Screw, Hex Head 1/4-20 x 1/2
32	532 40 28-81	Bolt, Shoulder
33	532 41 12-11	Bracket, Cable, Rear
34	532 19 85-80	Clevis Pin
35	532 40 54-84	Arm, Auger Control
36	532 19 17-30	Nut, Hex
37	532 41 54-35	Plate, Clutch
39	532 41 12-10	Plate, Speed, Pivot
43	532 41 44-62	Bracket, Speed, Pivot
44	817 00 06-16	Screw, Hex Head
45	532 18 40-74	Bracket, Pivot, Idler
46	532 41 08-77	Pan, Frame Bottom
47	532 18 44-71	Screw, Hex Head 5/16-18 x 3/4
49	532 41 78-95	Frame Assembly
50	532 41 76-90	Plate, Frame End
51	532 19 19-97	Shaft, Auger Control
52	532 05 70-79	Washer, Hardened
53	532 18 92-82	Key, Safety
58	532 19 85-63	Power Cord
59	<b>532 19 86-51</b>	Key, Square, Variator Pulley

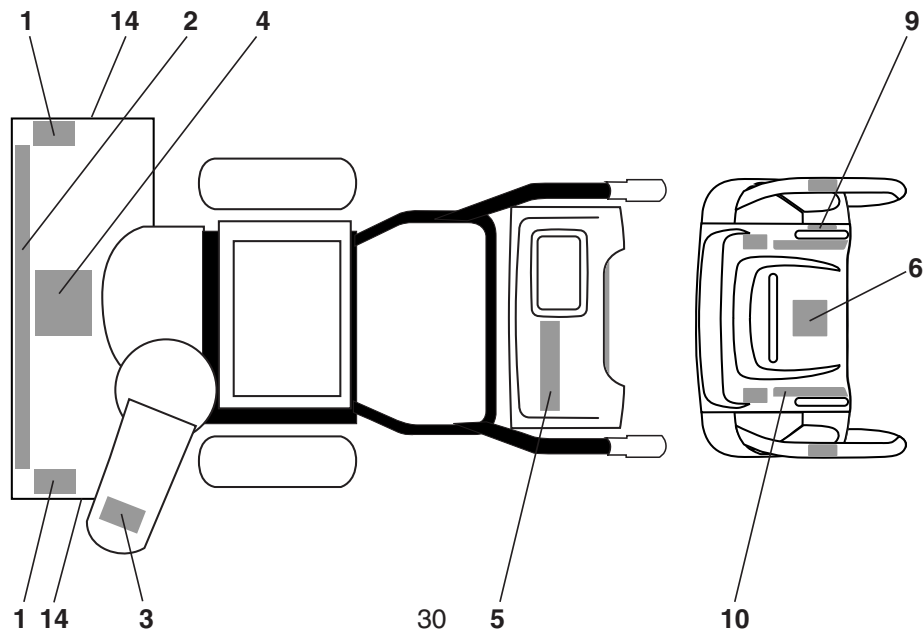
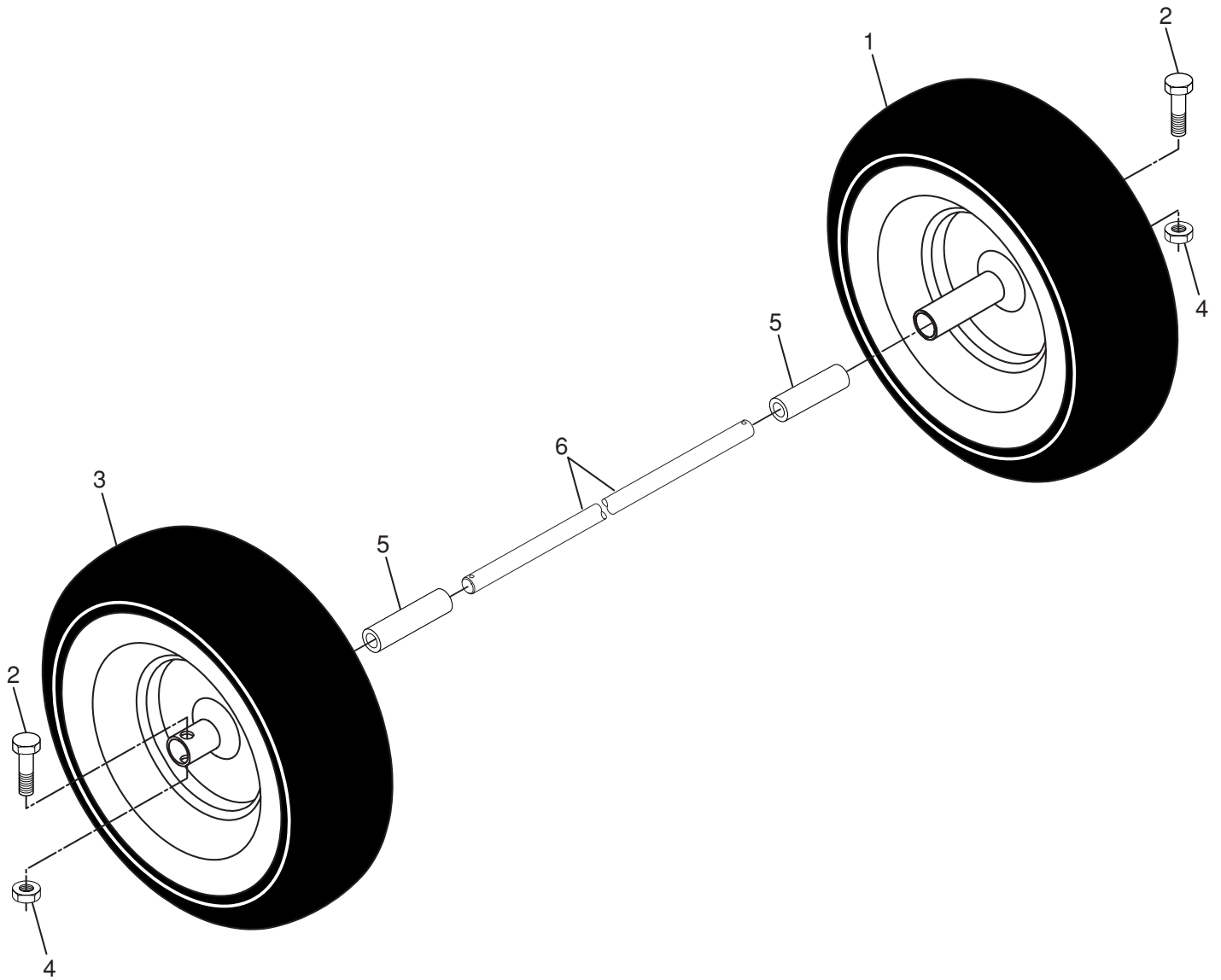
**NOTE:** All component dimensions given in U.S. inches. 1 inch = 25.4 mm

**IMPORTANT:** Use only Original Equipment Manufacturer (O.E.M.) replacement parts.  
Failure to do so could be hazardous, damage your snow thrower and void your warranty.

# REPAIR PARTS

# WHEELS / DECALS

SNOW THROWER - MODEL NUMBER 1330SBE-OV (96193002300)



**REPAIR PARTS****WHEELS / DECALS****SNOW THROWER - MODEL NUMBER 1330SBE-OV (96193002300)**

<b>KEY NO.</b>	<b>PART NO.</b>	<b>DESCRIPTION</b>
1	532 41 76-91	Wheel Assembly, 16", Power Steering, LH
2	<b>532 41 93-14</b>	Screw, Hex Head
4	873 80 04-00	Nut, Hex
3	532 41 76-92	Wheel Assembly, 16", Power Steering, RH
5	532 41 63-42	Bushing
6	532 41 12-19	Tube, Axle

<b>KEY NO.</b>	<b>PART NO.</b>	<b>DESCRIPTION</b>
1	532 18 10-37	Decal, Danger
2	532 41 90-49	Decal, Husqvarna
3	532 18 10-35	Decal, Danger, Deflector
4	532 18 10-42	Decal, Danger
5	532 41 90-50	Decal, Husqvarna, 1330SBE-OV
6	532 18 10-33	Decal, Instruction
9	532 41 54-75	Decal, Speed Control
10	532 18 37-30	Decal, Remote Deflector
11	532 41 53-99	Decal, LH Trigger
12	532 41 53-98	Decal, RH Trigger
14	532 15 57-94	Decal, Husqvarna, Crown
--	532 41 72-95	Owner's Manual, English
--	532 41 72-96	Owner's Manual, French

**NOTE:** All component dimensions given in U.S. inches. 1 inch = 25.4 mm  
**IMPORTANT:** Use only Original Equipment Manufacturer (O.E.M.) replacement parts.  
 Failure to do so could be hazardous, damage your snow thrower and void your warranty.